



DIRECT2CLOUD

Modbus RTU (RS-485)

Introduction

The Sent.io™ Direct2Cloud I/O gateway is perfect for stand-alone IoT monitoring in a variety of applications including building management, oil and gas, water/wastewater and much more.

Sent.io™ has multiple power options to fit any application. When powered from a field replaceable battery pack, it is a truly wireless IoT gateway that can sample multiple I/O or sensors every 5 minutes and report to the cloud every 8 hours or when an alert condition exists. When powered from external DC (8-24V), Sent.io™ continuously samples all I/O to check for alert conditions, providing near instant alert notifications. Samples are recorded and reported to the cloud every 5 minutes. If uptime reliability is a primary concern, Sent.io™ can be powered from our Whisker.io® MicroUPS™ which provides up to 48 hours of battery backed run time. When Sent.io™ is powered from the MicroUPS™, it can send text/email notifications when main power is lost and restored.

Sent.io™ can be configured with a variety of I/O options including analog and digital inputs and outputs, Modbus RTU (RS-485), and our entire line of 2Smart™ digital sensors which currently include digital temperature, temperature/humidity/pressure, and 3-5M tank level sensors.

Any 3rd party Modbus enabled product can be brought into the Whisker.io® cloud platform using Sent.io™ as a gateway, allowing your customers to control their building and industrial automation systems from anywhere in the world using any mobile device.

Sent.io™ communicates securely to the cloud using a built in 4G Cat M1 modem so it does not require access to customer networks or support from customer IT personnel.

Part Number

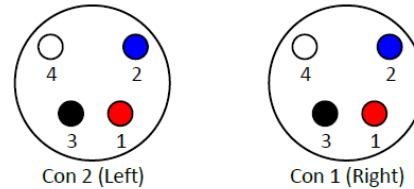
| P/N | Description |
|--------------------------|-----------------------|
| SIO-EX-MC-SE-SIMMNNNN-XR | 2x 0-5V analog inputs |

* Other I/O configurations are available. Please contact sales@d6labs.com or give us a call for more information.

Features

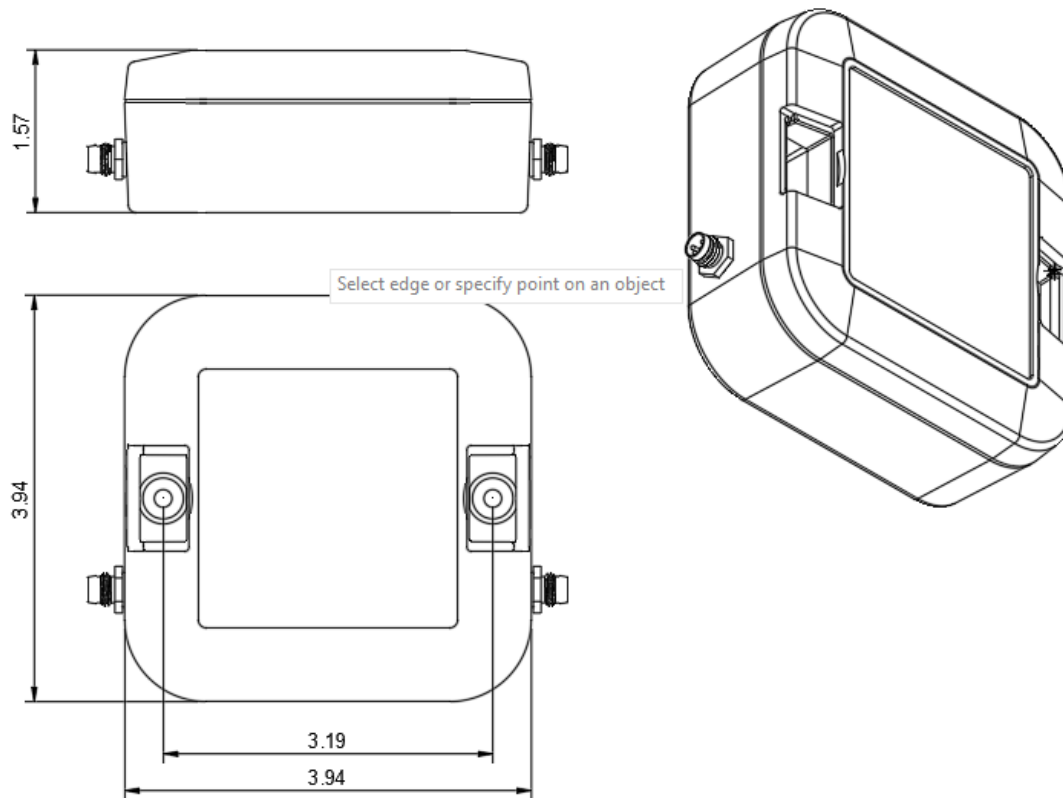
- Modbus RTU (RS-485)
- Up to thirty-two 32-bit words—read and write
- Supports 16/32-bit Word, Float, and 16-bit Bit Field
- Multiple Power Options—DC, MicroUPS
- Direct2Cloud air-gapped communications
- IP67 rated outdoor enclosure (DIN Rail, wall/pole mount)
- Simple to install, easy to use
- 24/7 remote monitoring /control from anywhere

Connector Wiring



| Connector | Pin | Function | Description |
|-----------|-----|-------------|---------------------|
| 1 | 1 | DC Power In | 8-32V |
| 1 | 2 | Power Det | Low when power good |
| 1 | 3 | NA | NA |
| 1 | 4 | GND | Ground |
| 2 | 1 | Vsensor | Sensor Power Out |
| 2 | 2 | A+ | RS-485 A+ |
| 2 | 3 | B- | RS-485 B- |
| 2 | 4 | GND | Ground |

Mechanical Drawings



* Dimensions are in inches

Key Specifications

| Parameter | Minimum | Typical | Maximum | Units |
|---|---------|---------|---------|--------------------|
| Operating Temp. Range | -40 | | +85 | °C |
| Analog Input Range | 4 | | 20 | mA |
| Power Supply (External DC Power Option) | 8 | | 32 | VDC |
| Battery Life (Battery Power Option) | 2 | 8 | 10 | Years ¹ |
| Battery Backup (MicroUPS Power Option) | | 48 | | Hours ¹ |
| Power Supply Current—Average | | 50 | | mA |
| Power Supply Current—Peak | | 1 | | A ² |

- Notes:
1. Depends on installed sensors and operating environment
 2. Peak current at 3.6V.