



DIRECT2CLOUD

2Smart™ Low Power Sensor Interface—Battery

Introduction

The Sent.io™ Direct2Cloud I/O gateway is perfect for stand-alone IoT monitoring in a variety of applications including building management, oil and gas, water/wastewater and much more.

Sent.io™ has multiple power options to fit any application. When powered from a field replaceable battery pack, it is a truly wireless IoT gateway that can sample multiple I/O or sensors every 5 minutes and report to the cloud every 8 hours or when an alert condition exists. When powered from external DC (8-24V), Sent.io™ continuously samples all I/O to check for alert conditions, providing near instant alert notifications. Samples are recorded and reported to the cloud every 5 minutes. If uptime reliability is a primary concern, Sent.io™ can be powered from our Whisker.io® MicroUPS™ which provides up to 48 hours of battery backed run time. When Sent.io™ is powered from the MicroUPS™, it can send text/email notifications when main power is lost and restored.

Sent.io™ can be configured with a variety of I/O options including analog and digital inputs and outputs, Modbus RTU (RS-485), and our entire line of 2Smart™ digital sensors which currently include digital temperature, temperature/humidity/pressure, and 3-5M tank level sensors.

Any 3rd party Modbus enabled product can be brought into the Whisker.io® cloud platform using Sent.io™ as a gateway, allowing your customers to control their building and industrial automation systems from anywhere in the world using any mobile device.

Sent.io™ communicates securely to the cloud using a built in 4G Cat M1 modem so it does not require access to customer networks or support from customer IT personnel.

Part Number

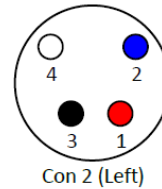
P/N	Description
SIO-BA-MC-SE-SI22NNNN-XR	2Smart™ Low Power Sensor

* Other I/O configurations are available. Please contact sales@d6labs.com or give us a call for more information.

Features

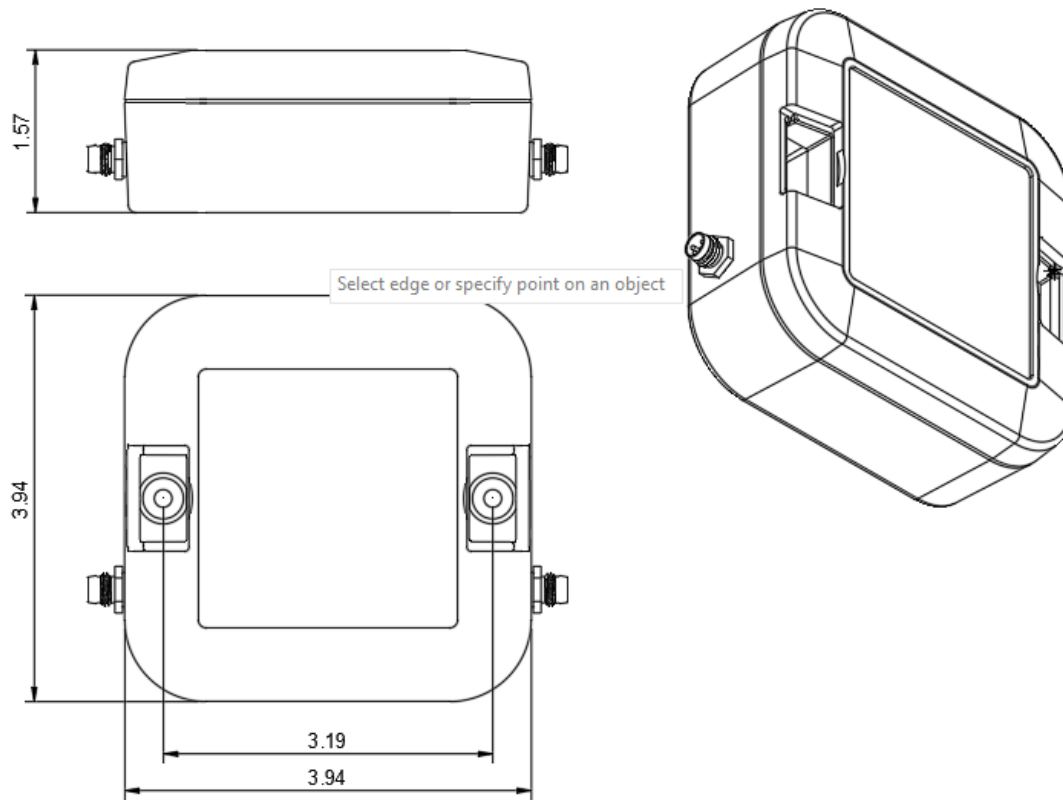
- 2Smart™ Sensor Interface
- Internal Battery
- Direct2Cloud air-gapped communications
- IP67 rated outdoor enclosure (DIN Rail, wall/pole mount)
- Simple to install, easy to use
- 24/7 remote monitoring /control from anywhere

Connector Wiring



Connector	Pin	Function	Description
2	1	Vsensor	Sensor Power Out
2	2	AIN1	Analog Input 1
2	3	AIN2	Analog Input 2
2	4	GND	Ground

Mechanical Drawings



* Dimensions are in inches

Key Specifications

Parameter	Minimum	Typical	Maximum	Units
Operating Temp. Range	-40		+85	°C
Analog Input Range	4		20	mA
Power Supply (External DC Power Option)	8		32	VDC
Battery Life (Battery Power Option)	2	8	10	Years ¹
Battery Backup (MicroUPS Power Option)		48		Hours ¹
Power Supply Current—Average		50		mA
Power Supply Current—Peak		1		A ²

- Notes:
1. Depends on installed sensors and operating environment
 2. Peak current at 3.6V.